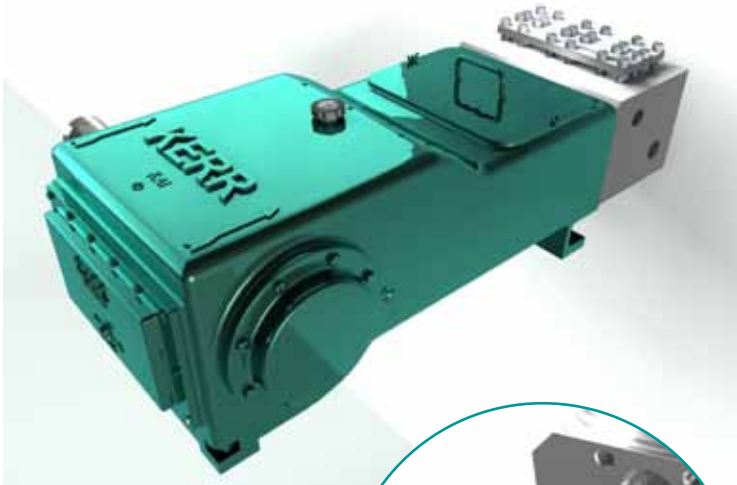


## KA-3500BCB 141 BHP Triplex Plunger Pump

Intermittent Duty



(OPTIONAL BOLTED DISCHARGE FLANGES)

## SPECIFICATIONS

<b>Configuration</b>	Horizontal Triplex Plunger
<b>Number of Plungers</b>	3
<b>Stroke Length</b>	5" / 127 mm
<b>Frame Load Rating</b>	8,663 lbs
<b>Fluid Cylinder Pressure Rating</b>	15,000 PSI
<b>Pump Weight (Avg.)</b>	1,900 lbs / 864 kilos
<b>Kerr Max Speed</b>	385 RPM
<b>Minimum Speed</b>	100 RPM
<b>Mechanical Efficiency (Bare Shaft)</b>	90%
<b>Lube System (Standard)</b>	Splash - Gravity Feed
<b>Lube System (Optional)</b>	Force Feed
<b>Lube Oil Capacity</b>	24 quarts / 22.75 liters
<b>Lube Oil Type</b>	Petroleum per AGMA 5EP (ISO 220) or Synthetic per SAE 75W-90 (ISO 100)
<b>Connection Sizes</b>	1 1/2" NPT Suction 1 1/4" NPT Discharge

## FLUID END

<b>Forged Carbon Steel (A105)</b>
<b>Forged Stainless Steel (316)</b>
<b>Other materials available on request</b>

## PLUNGERS

<b>Colmonoy 730 Hard Coat</b>
<b>Solid Ceramic (2,160 Max. PSI)</b>
<b>Kerramic (Ceramic) Coated</b>
<b>Solid 316 Stainless Steel</b>

## VALVES

<b>BALL VALVE / SEAT MATERIAL</b>	
<b>Stanalloy / Stanalloy (440 SS)</b>	
<b>Sheralloy / Sheralloy (Cobalt Base)</b>	

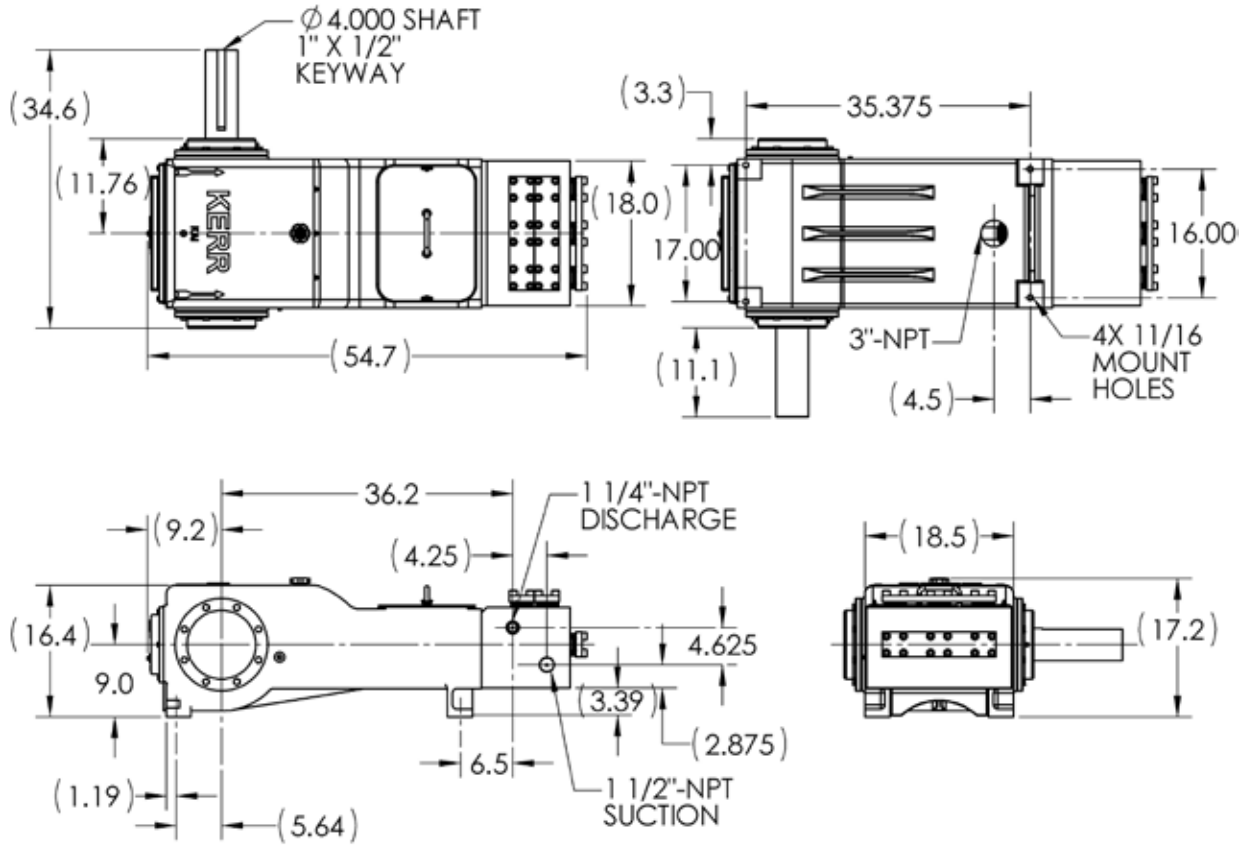
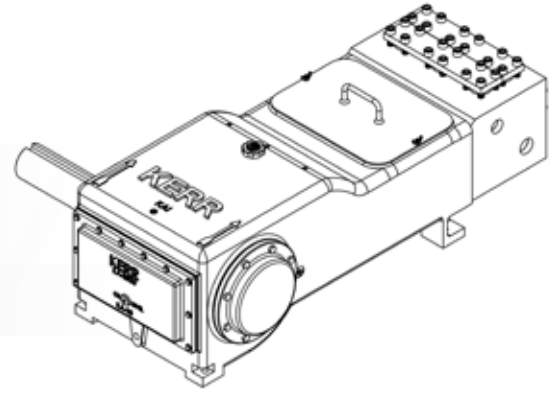
\* Consult Factory for Authorized Drawings for Dimensions

1) Displacement is based on 100% Volumetric Efficiency (VE)

2) Consult factory for operating speeds above maximum shown

## KA-3500BCB 141 BHP Triplex Plunger Pump

Intermittent Duty



PLGR DIA. INCHES	MAX PRESS PSI	DISP GAL PER REV	DISPLACEMENT																	
			100 RPM		140 RPM		175 RPM		210 RPM		245 RPM		280 RPM		315 RPM		350 RPM		385 RPM	
			GPM	BPD	GPM	BPD	GPM	BPD	GPM	BPD	GPM	BPD	GPM	BPD	GPM	BPD	GPM	BPD	GPM	BPD
0.875	14406	0.0390	3.9	134	5.5	188	6.8	234	8.2	281	9.6	328	10.9	375	12.3	422	13.7	469	15.0	516
1.000	11029	0.0510	5.1	175	7.1	245	8.9	306	10.7	367	12.5	429	14.3	490	16.1	551	17.8	612	19.6	673
1.250	7059	0.0797	8.0	273	11.2	383	13.9	478	16.7	574	19.5	670	22.3	765	25.1	861	27.9	957	30.7	1052

\* Consult Factory for Authorized Drawings for Dimensions

1) Displacement is based on 100% Volumetric Efficiency (VE)

2) Consult factory for operating speeds above maximum shown