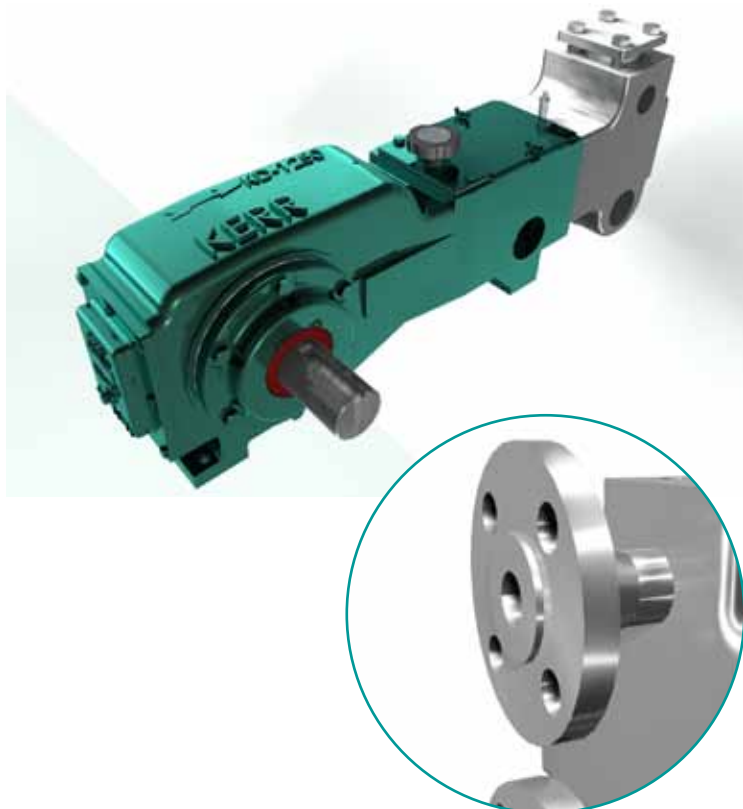


KD-1250BC

10.7 BHP Triplex Plunger Pump

Intermittent Duty



(OPTIONAL DISCHARGE FLANGES)

SPECIFICATIONS

Configuration	Horizontal Simplex Plunger
Number of Plungers	1
Stroke Length	2.5" / 63.5 mm
Frame Load Rating	3,250 lbs
Fluid Cylinder Pressure Rating	3,600 PSI
Pump Weight (Avg.)	200 lbs / 91 kilos
Kerr Max Speed	375 RPM
Minimum Speed	100 RPM
Mechanical Efficiency (Bare Shaft)	72%
Lube System (Standard)	Splash - Gravity Feed
Lube System (Optional)	Force Feed
Lube Oil Capacity	2 quarts / 1.9 liters
Lube Oil Type	Petroleum per AGMA 5EP (ISO 220) or Synthetic per SAE 75W-90 (ISO 100)
Connection Sizes	2" NPT Suction 1 1/4" NPT Discharge

FLUID END

Cast Carbon Steel (WCB)
Cast Nickel Aluminium Bronze (955)
Cast Stainless Steel CF8M (316)
Cast Duplex SS CD3MN (2205)
Forged Carbon Steel (A105)
Forged Stainless Steel (316)

VALVES

Disc Type / Seat (Max. 2,160 PSI)	Wing Guided
Delrin Disc / SS (316)	Ni-Al-Brz (955) / Metal-to-Metal
Delrin / Ni-Al-Brz (955)	Monel / Metal-to-Metal
Delrin / Duplex SS (CD4MCU)	SS (316) / Metal-to-Metal
SS (316) / SS (316)	17-4 HT Metal-to-Metal
Titanium / SS (316)	SS (316) / AR Urethane Inserted
PEEK / SS (316)	17-4 HT / AR Urethane Inserted

PLUNGERS

Colmonoy 730 Hard Coat
Solid Ceramic (2,160 Max. PSI)
Kerramic (Ceramic) Coated
Solid 316 Stainless Steel

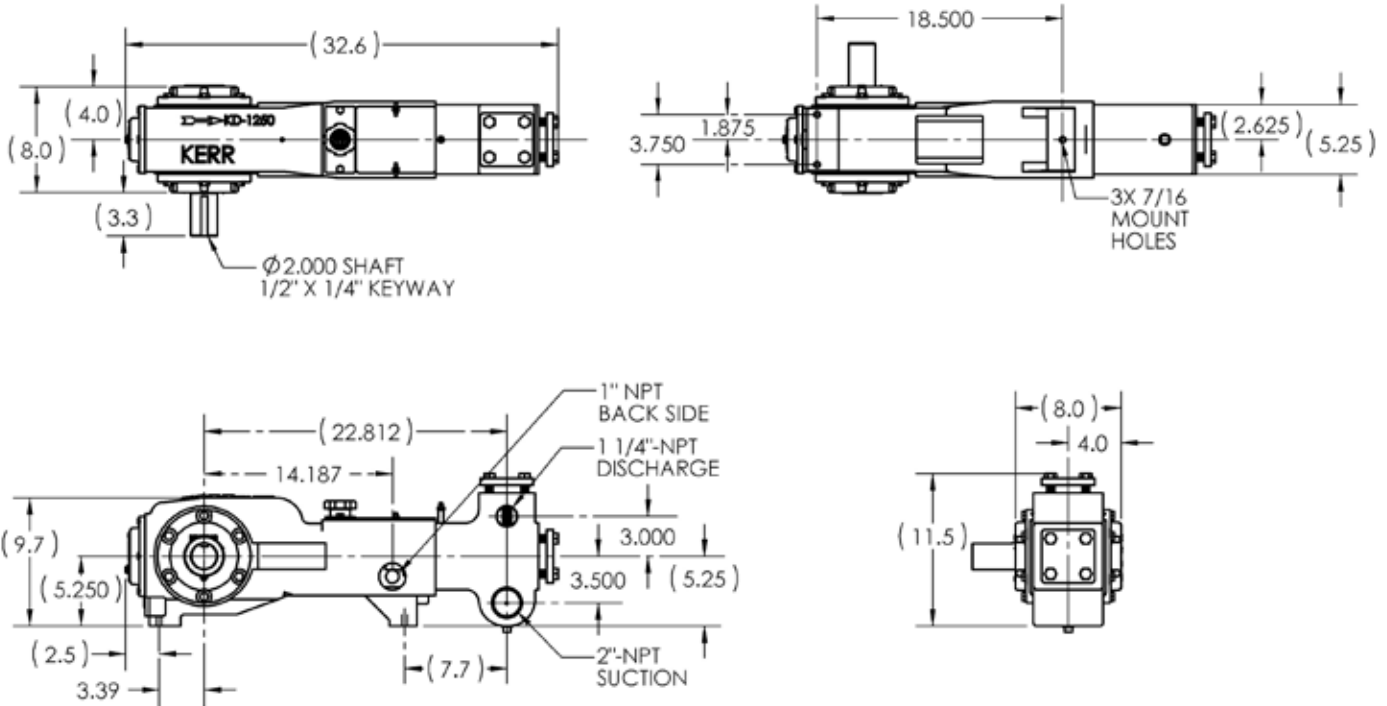
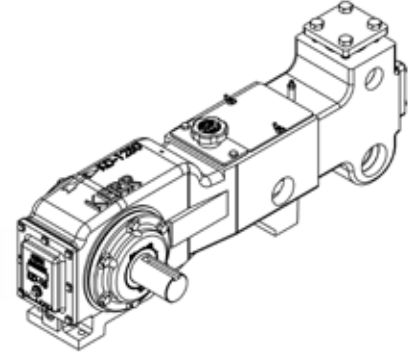
* Consult Factory for Authorized Drawings for Dimensions

1) Displacement is based on 100% Volumetric Efficiency (VE)

2) Consult factory for operating speeds above maximum shown

KD-1250BC 10.7 BHP Triplex Plunger Pump

Intermittent Duty



PLGR DIA. INCHES	MAX PRESS PSI	DISP GAL PER REV	DISPLACEMENT																	
			100 RPM		130 RPM		165 RPM		200 RPM		235 RPM		270 RPM		305 RPM		340 RPM		375 RPM	
			GPM	BPD	GPM	BPD	GPM	BPD	GPM	BPD	GPM	BPD	GPM	BPD	GPM	BPD	GPM	BPD	GPM	BPD
1.250	2648	0.0133	1.3	46	1.7	59	2.2	75	2.7	91	3.1	107	3.6	123	4.1	139	4.5	155	5.0	171
1.500	1839	0.0191	1.9	66	2.5	85	3.2	108	3.8	131	4.5	154	5.2	177	5.8	200	6.5	223	7.2	246
1.750	1351	0.0260	2.6	89	3.4	116	4.3	147	5.2	179	6.1	210	7.0	241	7.9	272	8.9	304	9.8	335
2.000	1035	0.0340	3.4	117	4.4	152	5.6	192	6.8	233	8.0	274	9.2	315	10.4	356	11.6	397	12.7	437

* Consult Factory for Authorized Drawings for Dimensions

1) Displacement is based on 100% Volumetric Efficiency (VE)

2) Consult factory for operating speeds above maximum shown