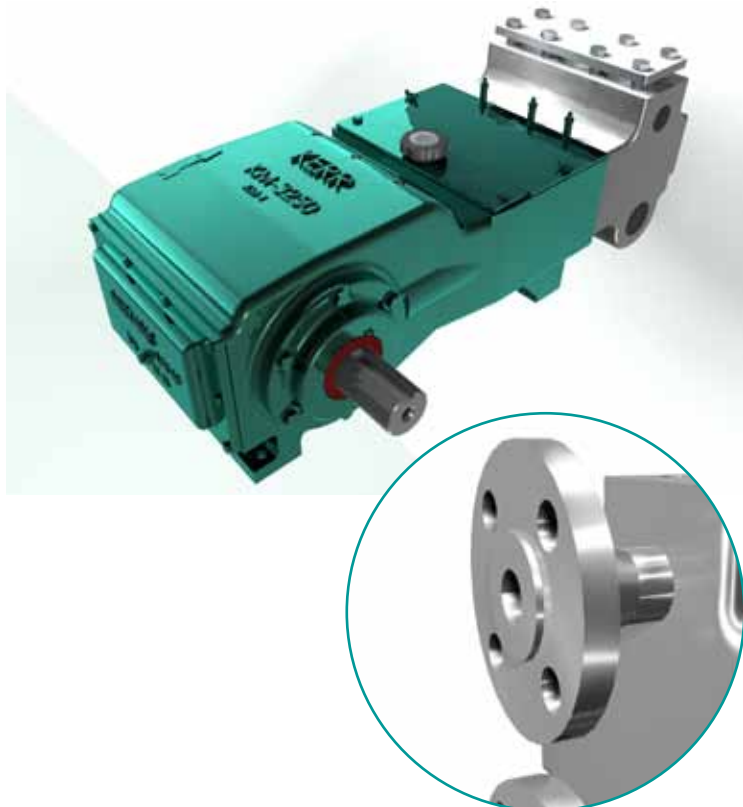


KM-3250BC 34.9 BHP Triplex Plunger Pump

Intermittent Duty



(OPTIONAL DISCHARGE FLANGES)

SPECIFICATIONS

Configuration	Horizontal Triplex Plunger
Number of Plungers	3
Stroke Length	2.5" / 63.5 mm
Frame Load Rating	3,250 lbs
Fluid Cylinder Pressure Rating	3,600 PSI
Pump Weight (Avg.)	340 lbs / 155 kilos
Kerr Max Speed	510 RPM
Minimum Speed	100 RPM
Mechanical Efficiency (Bare Shaft)	90%
Lube System (Standard)	Splash - Gravity
Lube System (Optional)	Force Feed
Lube Oil Capacity	4 quarts / 3.785 liters
Lube Oil Type	Petroleum per AGMA 5EP (ISO 220) or Synthetic per SAE 75W-90 (ISO 100)
Connection Sizes	2" NPT Suction 1 1/4" NPT Discharge

FLUID END

Cast Ductile Iron (65-45-12)
Cast Carbon Steel (WCB)
Cast Nickel Aluminium Bronze (955)
Cast Stainless Steel CF8M (316)
Cast Duplex SS CD3MN (2205)
Forged Carbon Steel (A105)
Forged Stainless Steel (316)

VALVES

Disc Type / SEAT (MAX. 2,160 PSI)	WING GUIDED
Delrin Disc / SS (316)	Ni-Al-Brz (955) / Metal-to-Metal
Delrin / Ni-Al-Brz (955)	Monel / Metal-to-Metal
Delrin / Duplex SS (CD4MCU)	SS (316) / Metal-to-Metal
SS (316) / SS (316)	17-4 HT Metal-to-Metal
Titanium / SS (316)	SS (316) / AR Urethane Inserted
PEEK / SS (316)	17-4 HT / AR Urethane Inserted

PLUNGERS

Colmonoy 730 Hard Coat
Solid Ceramic (2,160 Max. PSI)
Kerramic (Ceramic) Coated
Solid 316 Stainless Steel

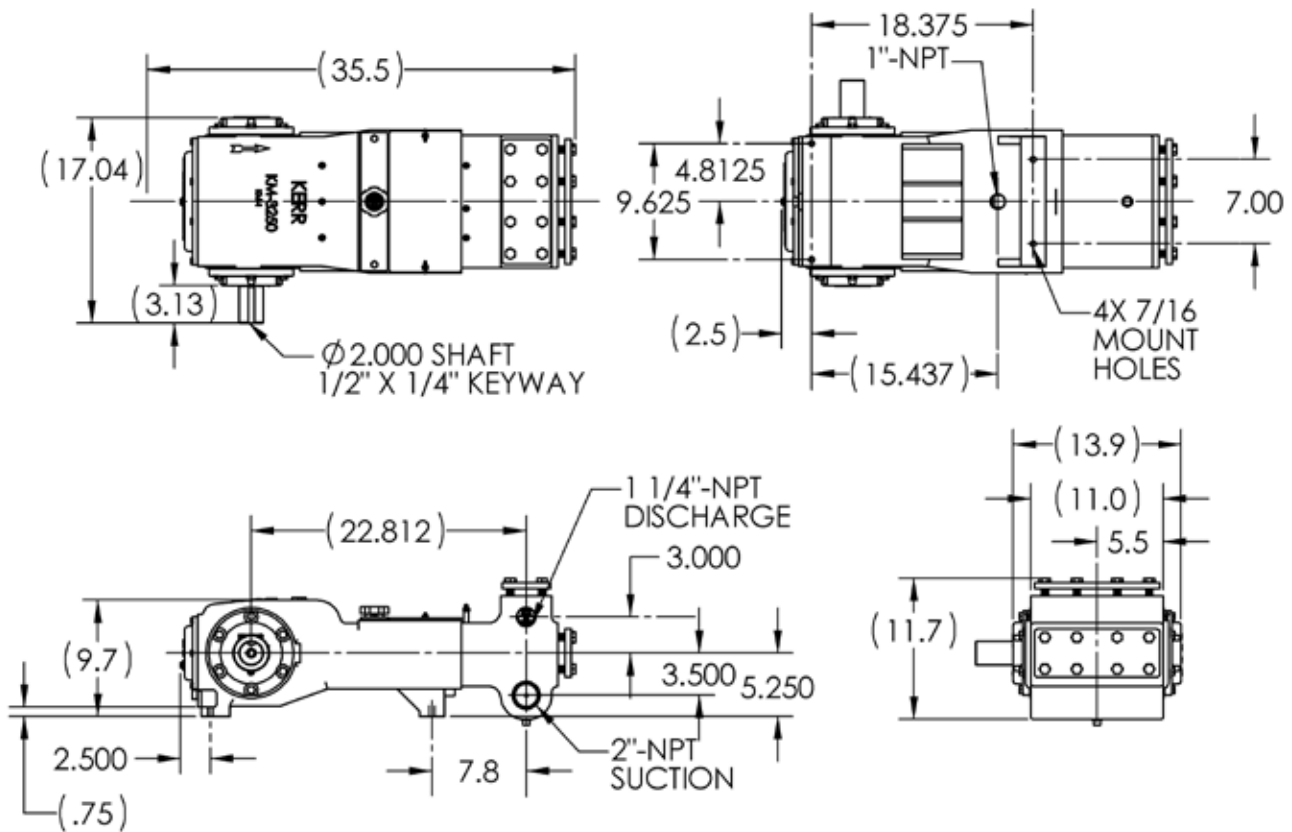
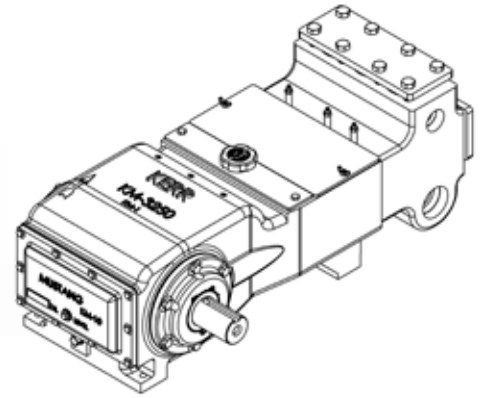
* Consult Factory for Authorized Drawings for Dimensions

1) Displacement is based on 100% Volumetric Efficiency (VE)

2) Consult factory for operating speeds above maximum shown

KM-3250BC 34.9 BHP Triplex Plunger Pump

Intermittent Duty



PLGR DIA. INCHES	MAX PRESS PSI	DISP GAL PER REV	DISPLACEMENT																	
			100 RPM		160 RPM		210 RPM		260 RPM		310 RPM		360 RPM		410 RPM		460 RPM		510 RPM	
			GPM	BPD	GPM	BPD	GPM	BPD	GPM	BPD	GPM	BPD	GPM	BPD	GPM	BPD	GPM	BPD	GPM	BPD
1.250	2648	0.0398	4.0	137	6.4	219	8.4	287	10.4	355	12.4	424	14.3	492	16.3	560	18.3	629	20.3	697
1.500	1839	0.0574	5.7	197	9.2	315	12.0	413	14.9	512	17.8	610	20.7	708	23.5	807	26.4	905	29.3	1004
1.750	1351	0.0781	7.8	268	12.5	429	16.4	563	20.3	696	24.2	830	28.1	964	32.0	1098	35.9	1232	39.8	1366
2.000	1035	0.1020	10.2	350	16.3	560	21.4	735	26.5	910	31.6	1085	36.7	1259	41.8	1434	46.9	1609	52.0	1784

* Consult Factory for Authorized Drawings for Dimensions

1) Displacement is based on 100% Volumetric Efficiency (VE)

2) Consult factory for operating speeds above maximum shown