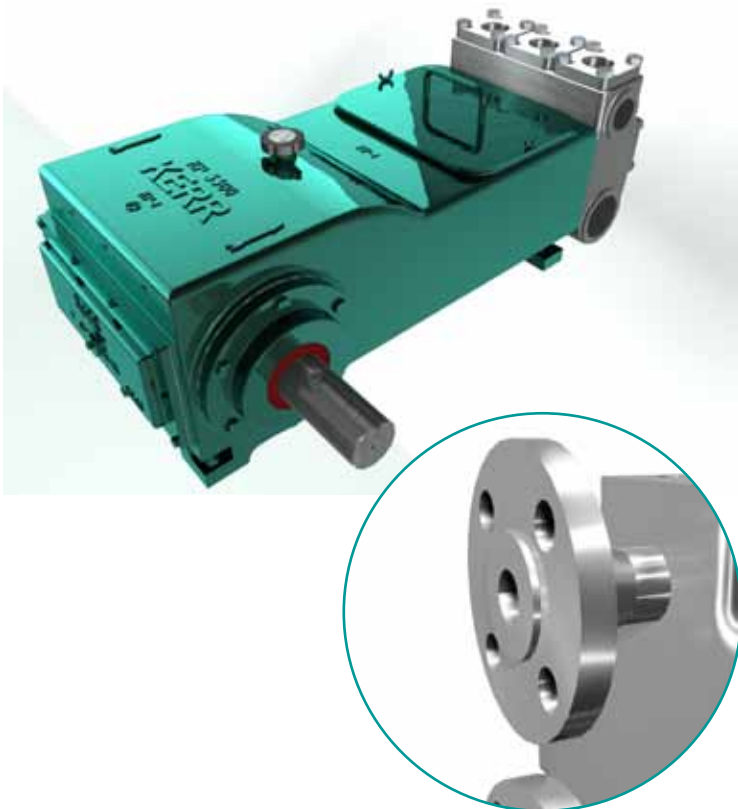


KP-3300BC 76.4 BHP Triplex Plunger Pump

Intermittent Duty



(OPTIONAL DISCHARGE FLANGES)

SPECIFICATIONS

Configuration	Horizontal Triplex Plunger
Number of Plungers	3
Stroke Length	3.0" / 76.2 mm
Frame Load Rating	6,438 lbs
Fluid Cylinder Pressure Rating	3,600 PSI
Pump Weight (Avg.)	800 lbs / 364 kilos
Kerr Max Speed	470 RPM
Minimum Speed	100 RPM
Mechanical Efficiency (Bare Shaft)	90%
Lube System (Standard)	Splash- Gravity Feed
Lube System (Optional)	Force Feed
Lube Oil Capacity	12 quarts / 11.36 liters
Lube Oil Type	Petroleum per AGMA 5EP (ISO 220) or Synthetic per SAE 75W-90 (ISO 100)
Connection Sizes	3" NPT Suction 2" NPT Discharge

FLUID END

Cast Ductile Iron (65-45-12)
Cast Carbon Steel (WCB)
Cast Nickel Aluminium Bronze (955)
Cast Stainless Steel CF8M (316)
Cast Duplex SS CD3MN (2205)
Forged Carbon Steel (A105)
Forged Stainless Steel (316)

VALVES

Disc Type / SEAT (MAX. 2,160 PSI)	WING GUIDED
Delrin Disc / SS (316)	Ni-Al-Brz (955) / Metal-to-Metal
Delrin / Ni-Al-Brz (955)	Monel / Metal-to-Metal
Delrin / Duplex SS (CD4MCU)	SS (316) / Metal-to-Metal
SS (316) / SS (316)	17-4 HT Metal-to-Metal
Titanium / SS (316)	SS (316) / AR Urethane Inserted
PEEK / SS (316)	17-4 HT / AR Urethane Inserted

PLUNGERS

Colmonoy 730 Hard Coat
Solid Ceramic (2,160 Max. PSI)
Kerramic (Ceramic) Coated
Solid 316 Stainless Steel

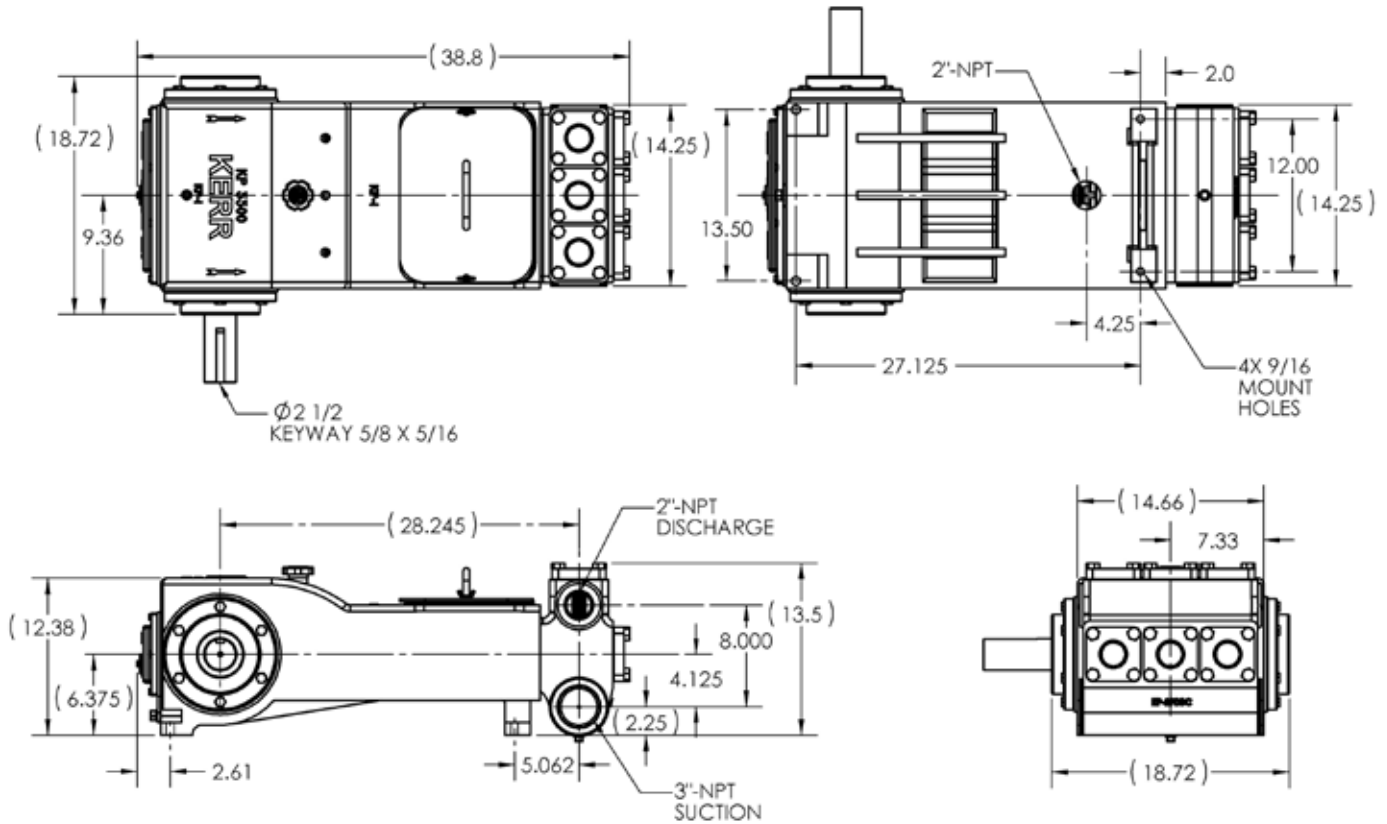
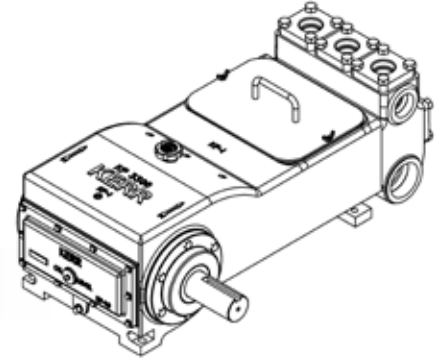
* Consult Factory for Authorized Drawings for Dimensions

1) Displacement is based on 100% Volumetric Efficiency (VE)

2) Consult factory for operating speeds above maximum shown

KP-3300BC 76.4 BHP Triplex Plunger Pump

Intermittent Duty



PLGR DIA. INCHES	MAX PRESS PSI	DISP GAL PER REV	DISPLACEMENT																	
			100 RPM		155 RPM		200 RPM		245 RPM		290 RPM		335 RPM		380 RPM		425 RPM		470 RPM	
			GPM	BPD	GPM	BPD	GPM	BPD	GPM	BPD	GPM	BPD	GPM	BPD	GPM	BPD	GPM	BPD	GPM	BPD
1.500	3600	0.0688	6.9	236	10.7	366	13.8	472	16.9	579	20.0	685	23.1	791	26.2	897	29.3	1004	32.4	1110
1.750	2676	0.0937	9.4	321	14.5	498	18.7	643	23.0	788	27.2	932	31.4	1077	35.6	1221	39.8	1366	44.0	1511
2.000	2049	0.1224	12.2	420	19.0	651	24.5	840	30.0	1029	35.5	1218	41.0	1406	46.5	1595	52.0	1784	57.5	1973
2.250	1619	0.1549	15.5	531	24.0	824	31.0	1063	38.0	1302	44.9	1541	51.9	1780	58.9	2019	65.8	2258	72.8	2497
2.500	1311	0.1912	19.1	656	29.6	1017	38.2	1312	46.9	1607	55.5	1902	64.1	2198	72.7	2493	N/A		N/A	

* Consult Factory for Authorized Drawings for Dimensions

1) Displacement is based on 100% Volumetric Efficiency (VE)

2) Consult factory for operating speeds above maximum shown